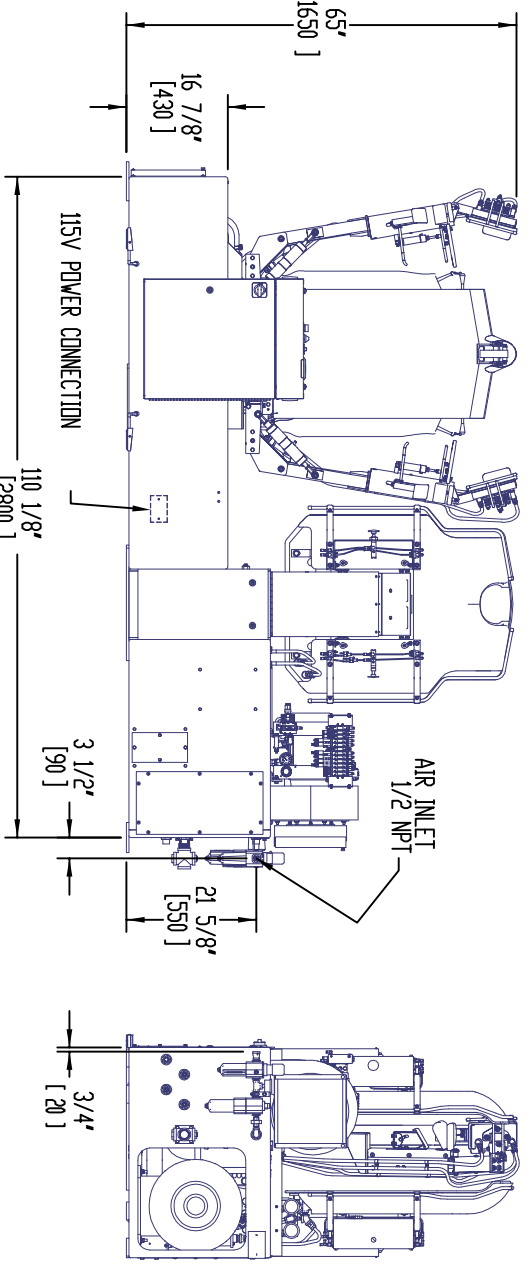
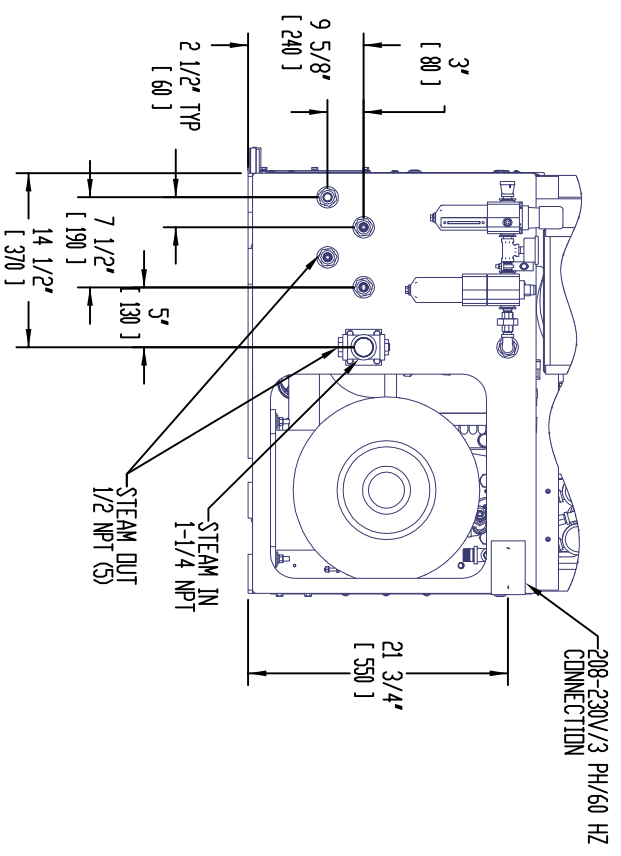
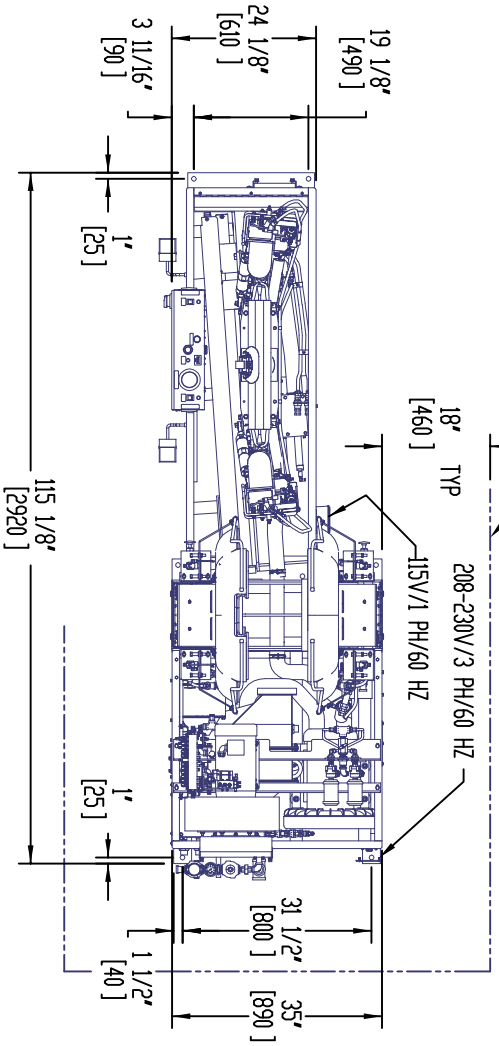
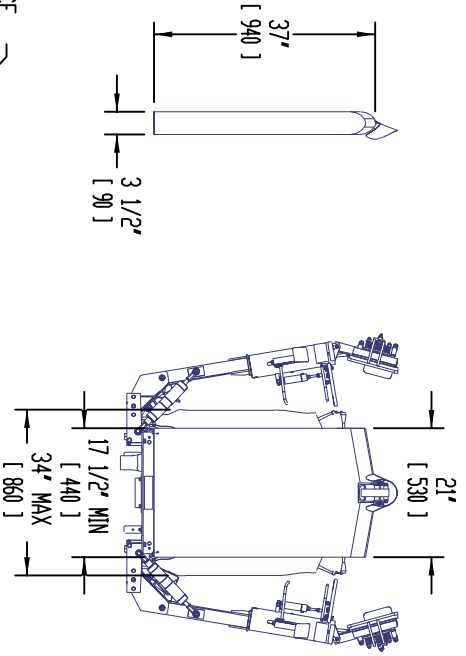


MINIMUM MAINTENANCE CLEARANCE



SUPPLY REQUIREMENTS

- STEAM: 100-125 PSI
- WEIGHT OF PRESS: 2,300 LBS
- AIR SUPPLY: 85 PSI
- ELECTRICAL PRESS: 115/1/60
- ELECTRICAL BLOWERS: 208/230/3/60
- EXPORT CUBIC FEET: 170

CONSUMPTIONS

- AIR: 3-1/2 CUBIC FEET/CYCLE
- STEAM: 2-1/2 BHP
- ELECTRICAL PRESS - 1 AMP @ 115 VOLT
- ELECTRICAL BLOWERS - 15.4 AMP @ 230 VOLT



THIS DOCUMENT CONTAINS PROPRIETARY DATA OF UNIPRESS CORP. NO DISCLOSURE, REPRODUCTION OR USE IN ANY PART THEREOF MAY BE MADE EXCEPT BY WRITTEN PERMISSION.

DATE	TOLERANCES UNLESS OTHERWISE SPECIFIED	DRAWN	JEH	4/9/2009	CHECKED	NAME	ROUGHING-IN	AP	REV
REV	CONTAINS WORKING DRAWING	SCALE	1:16	NUMBER	43363-DC	REV			
TAMP A FLORIDA									