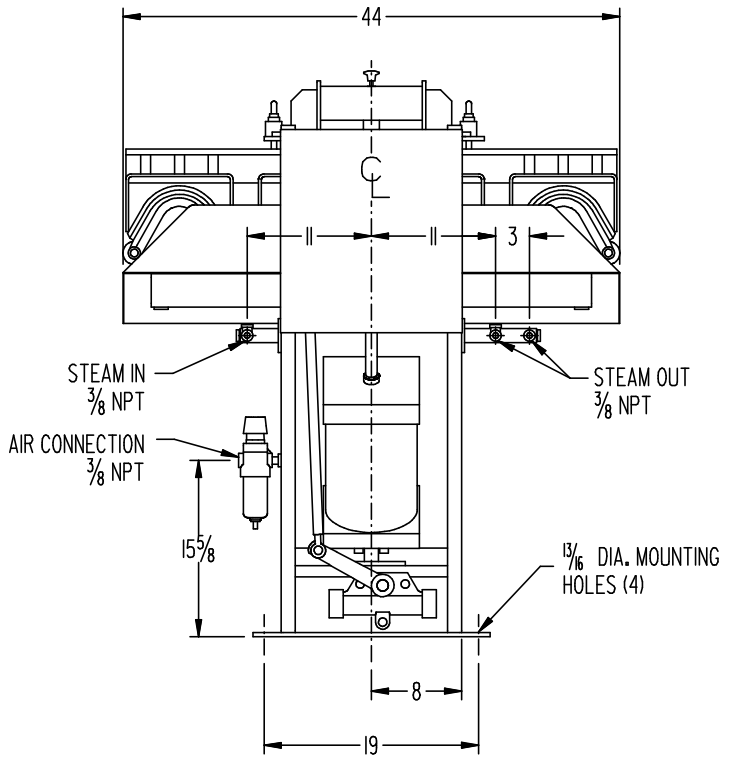
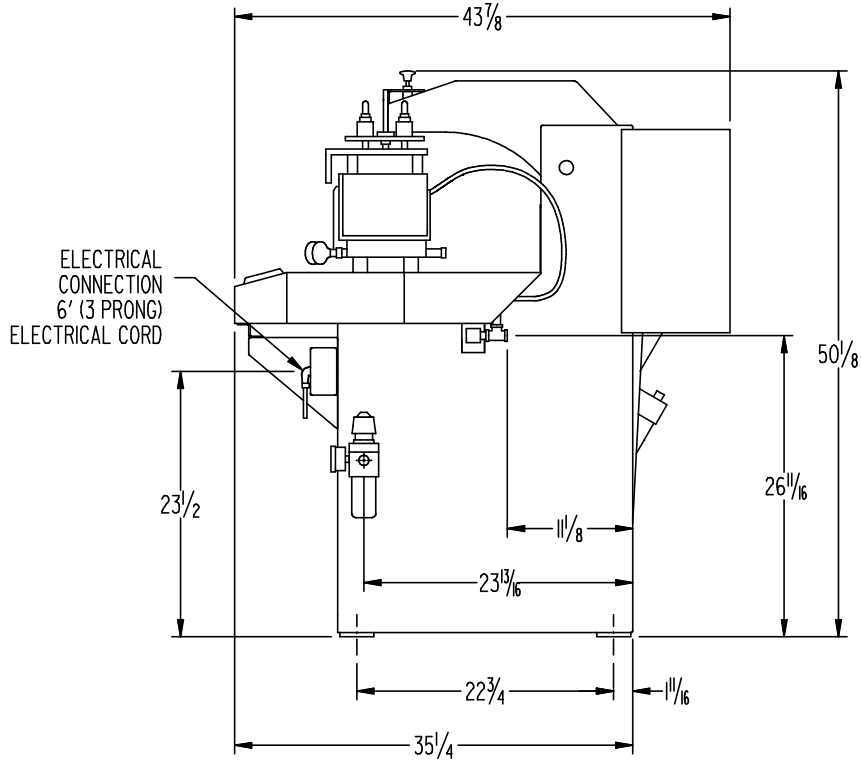


10 9 8 7 6 5 4 3 2 1



BUCK DIMENSIONS

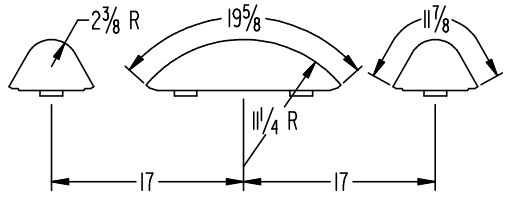
SUPPLY REQUIREMENTS



- 1) WEIGHT OF PRESS : 850 LBS.
- 2) AIR SUPPLY : 85 PSI
- 3) STEAM SUPPLY : 100 - 125 PSI
- 4) ELECTRICAL : 120/230V, 1-PH., 50-60 Hz, 1/2 AMP

CONSUMPTION

- 1) AIR : 1 3/4 CU. FT. FREE AIR/CYCLE
- 2) STEAM : 3/4 BOILER H.P.



NOTE:  
COMPUTER GENERATED,  
NO CHANGES TO THIS  
TRACING PERMISSIBLE

+	+	+	+	+
ITEM	PART NO.	QTY.	DESCRIPTION	MATERIAL
THIS DOCUMENT CONTAINS PROPRIETARY DATA OF UNIPRESS CORP. NO DISCLOSURE, REPRODUCTION OR USE OF ANY PART THEREOF MAY BE MADE EXCEPT BY WRITTEN PERMISSION.				
			<b>UNIPRESS</b>	
			TAMPA, FLORIDA	
			DATE	3-25-94
			TOLERANCES UNLESS OTHERWISE SPECIFIED	DRAWN V.L.C.
			CASTINGS ± 1/16	CHECKED MH
			FABRICATIONS ± 1/64	NAME ROUGHING IN PLAN
			MACHINING ± .05	3TZ
			FRACTIONAL ± .005	NUMBER 29906-DC
			2 PL. DECIMAL ± .005	REV +
			3 PL. DECIMAL ± .005	
			SURFACES ± .005	
			BORES ± .005	
			SCALE 1/8" = 1"	
			BREAK CORNERS ± .020	
			ANGLES ± 1/2°	

10 9 8 7 6 5 4 3 2 1